

## DELIVERS AN INSTANTANEOUS IMPACT FROM LIGHT TAP TO HEAVY BLOWS

### OVERVIEW

The Black & Webster Electropunch is a fully electric operated impact unit ideal for light taps to heavy blows. This compact, bench top impact hammer delivers an instantaneous blow which can be adjusted using either our Impact Controller or Power Pak Controller to regulate impact force. Units are available in impact forces up to 15,000 lbs. and come complete with tool holding clamp to easily mount tooling onto the non-rotating spindle.



**Black & Webster**  
Assembly Equipment Division

The **MODEL BS ELECTROPUNCH** is our most popular and flexible unit because of its column mounted design. This gives you the ability to easily adjust the working height for a variety of different job set-ups.

The **MODEL C ELECTROPUNCH** is our most powerful and heavy duty electropunch with impact forces ranging up to 15,000 lbs. This unit also comes standard with the ability to easily adjust the working height by the means of a screw height adjustment

The **MODEL JS ELECTROPUNCH** is popular for machine tool builders that are looking for an impact punch that is easily adaptable into an assembly system due to the flange style mounting design. The optional Cincinnati version includes an externally mounted limit switch and is well known for its design into Cincinnati Grinding Machines.



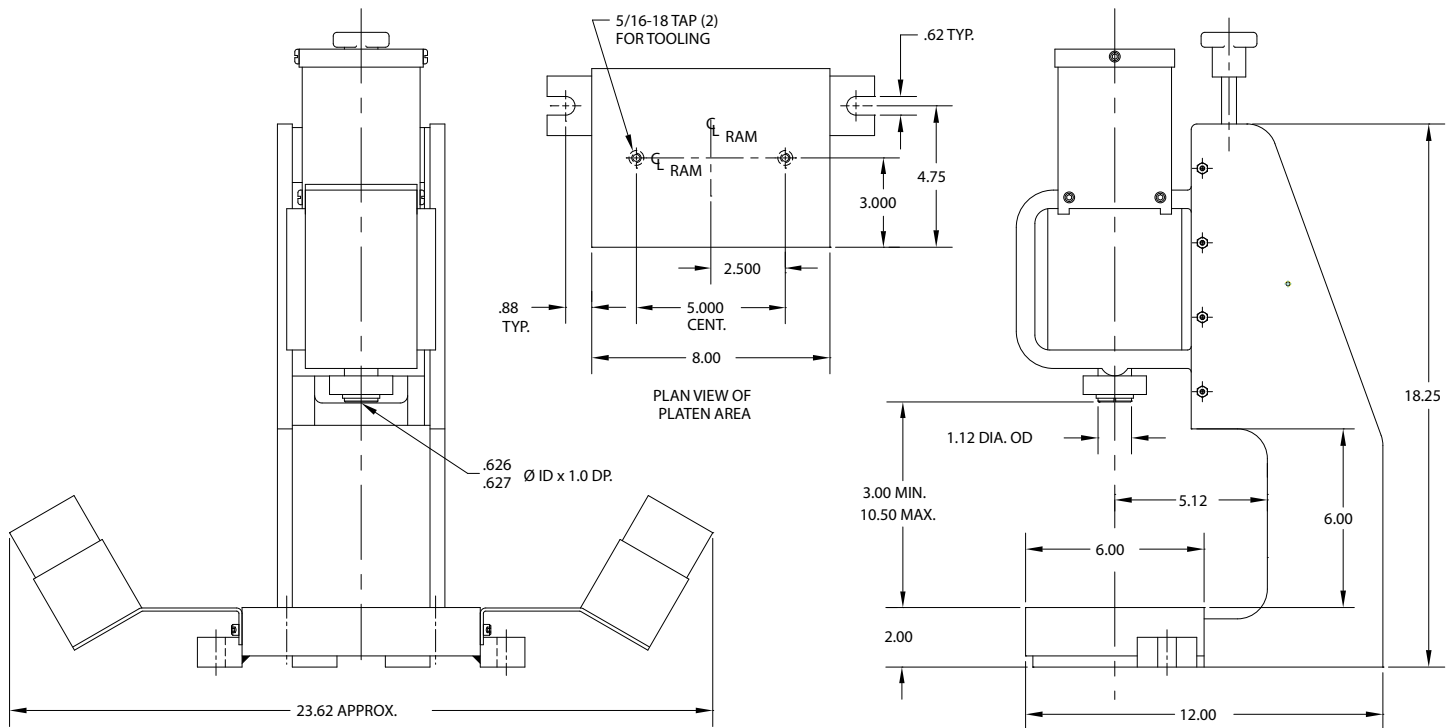
The **MODEL FJS ELECTROPUNCH** is our bench top version of the JS Electropunch, ideal for applications that require a fixed and robust impact machine that pairs well with our optional lower fixture bolster plates, which can be machine to your specifications.

The **MODEL SMS ELECTROPUNCH** is a uniquely designed electropunch which consists of a hold-down mechanism which keep parts held down before an internal spindle fires and stakes the pieces together. Comes complete with two harden blank punches that you can machine to your punching needs.

**APPLICATIONS:** Staking, Riveting, Swaging, Crimping, Part Marking

### SPECIFICATIONS

Description	Model C	Model FJS	Model BS	Model SMS	Model JS
Impact in Lbs.	234	55	55	55	55
Impact Force Lbs. Standard	N/A	8,000	3,500	3,500	3,500
Impact Force Lbs. Power Pak	15,000	8,000	8,000	8,000	8,000
Stroke	2.00"	1.75"	1.75"	1.75"	1.75"
Spindle to Base	Min. 3.00", Max. 10.50"	Min. 5.00", Max. 5.00"	Min. 0.00", Max. 11.50"	Min. 0.00", Max. 11.50"	Min. N/A, Max. N/A
Throat Depth	4.50"	4.00"	4.00"	4.00"	N/A
Tool Weight	7 Lbs.	1 Lbs.	1 Lbs.	1 Lbs.	1 Lbs.
Machine Weight	90 Lbs.	50 Lbs.	50 Lbs.	50 Lbs.	20 Lbs.

**MODEL C ELECTROPUNCH DIMENSIONS****MODEL C ELECTROPUNCH FEATURES & OPTIONS**

Our objective is to offer you a solution to your assembly and forming needs. If our standard features or available options do not meet your application requirements, please consult our factory to see about us offering an affordable solution to meet your design needs.

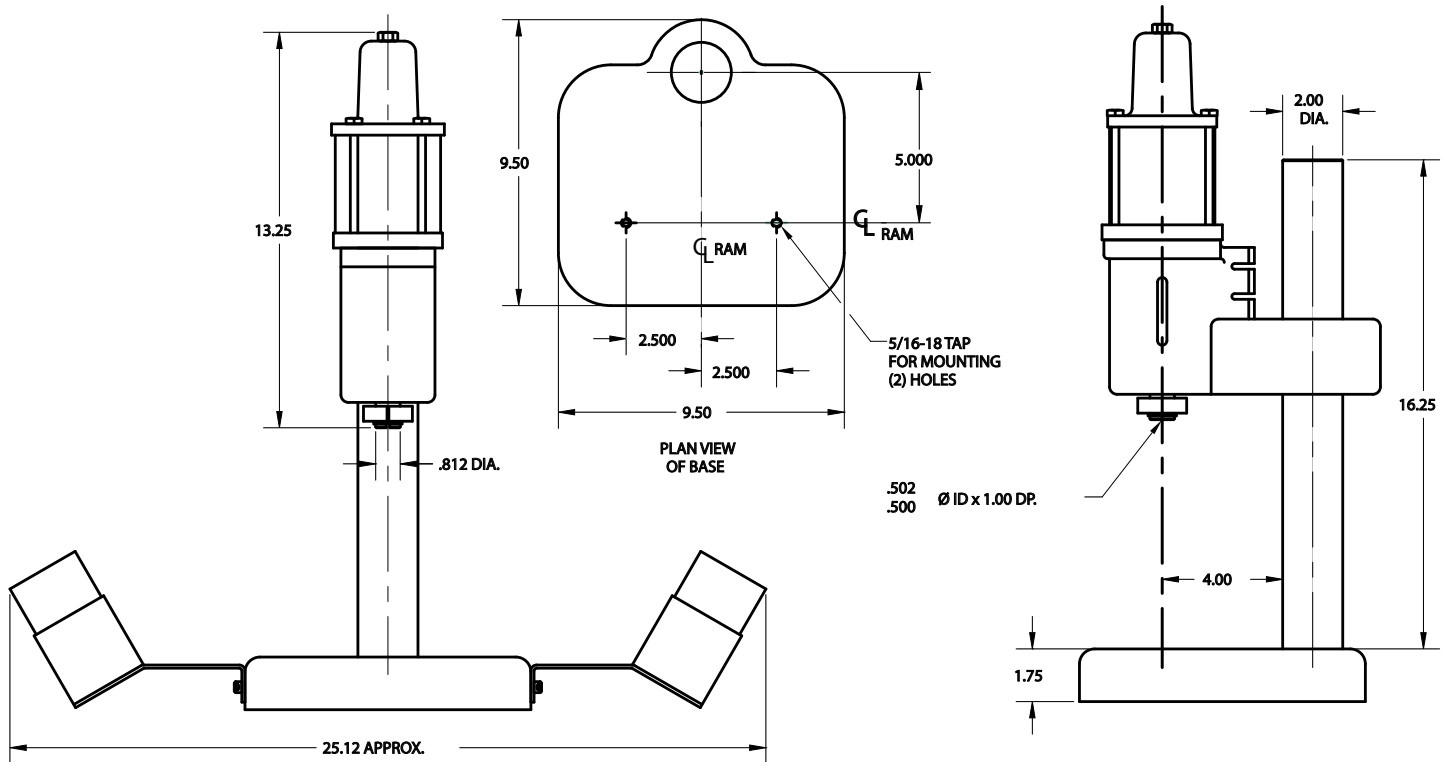
**STANDARD FEATURES**

- Screw Height Adjustment
- Heavy Duty Cast Frame
- Adjustable Daylight
- All Electric Operation
- Non-Rotating Spindle
- 115V, Single Phase, 60 Cycle power
- Up to 15,000 lbs of adjustable impact force with Power Pak Controller
- 2.0" stroke with spring return

**AVAILABLE OPTIONS**

- Electric Two Hand Non-Tie Down Actuators
- Electric Footswitch with Protectoswitch
- Bolster Plate Machined to Specs
- Custom Tooling Packages
- Custom Guarding Packages
- Impact head sold separately

**NOTE:** Power Pak Controller must be used with Model C Electropunch

**MODEL BS ELECTROPUNCH DIMENSIONS****MODEL BS ELECTROPUNCH FEATURES & OPTIONS**

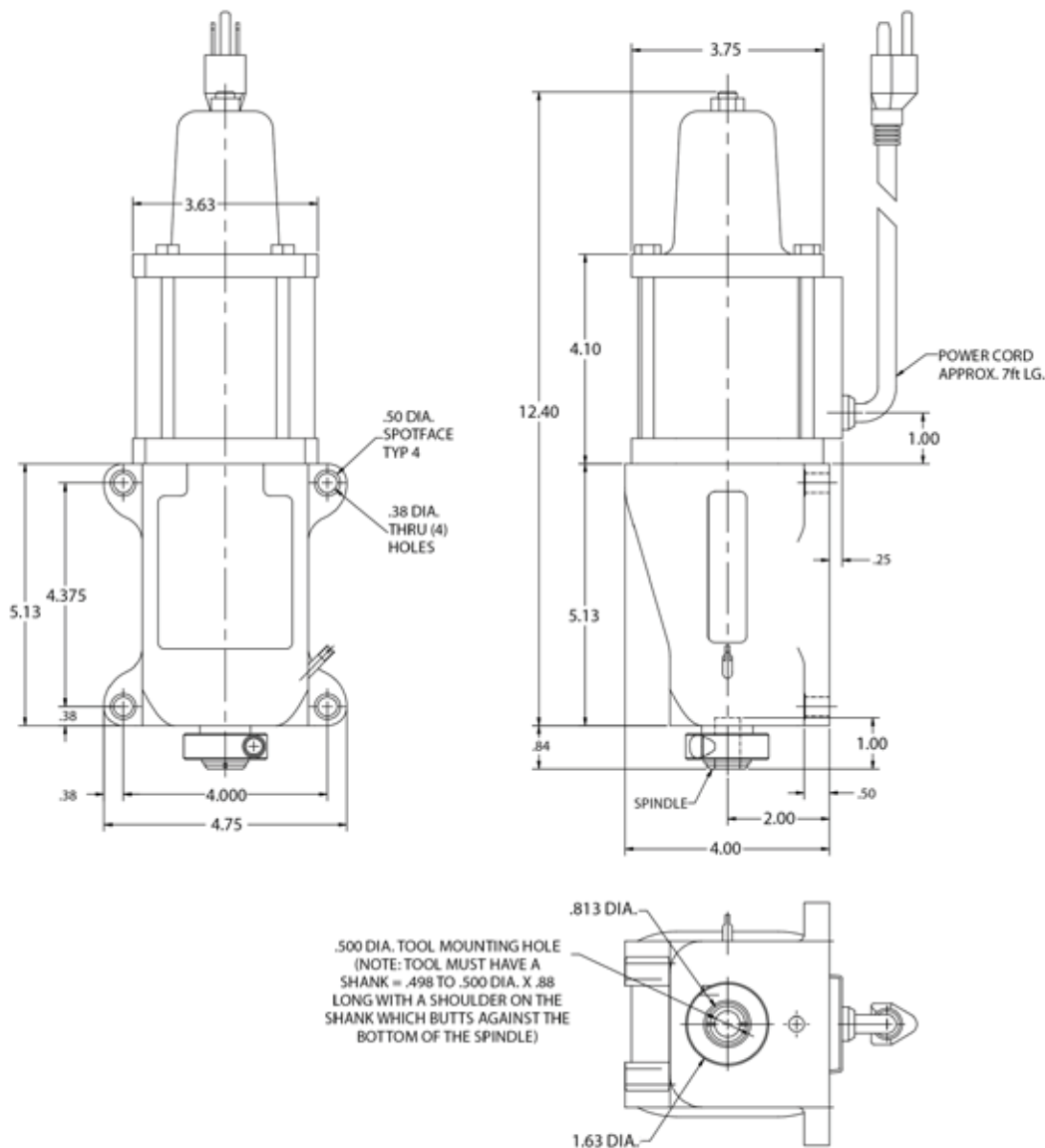
Our objective is to offer you a solution to your assembly and forming needs. If our standard features or available options do not meet your application requirements, please consult our factory to see about us offering an affordable solution to meet your design needs.

**STANDARD FEATURES**

- Column mounted with adjustable daylight opening
- All Electric Operation
- Non-Rotating Spindle
- 115V, Single Phase, 60 Cycle power
- Up to 8,000 lbs of adjustable impact force with Power Pak Controller
- 1.75" stroke with spring return

**AVAILABLE OPTIONS**

- Screw Height Adjustment
- Electric Two Hand Non-Tie Down Actuators
- Electric Footswitch with Protectoswitch (link)
- Bolster Plate Machined to Specs
- Custom Tooling Packages
- Custom Guarding Packages
- Impact head sold separately

**MODEL JS ELECTROPUNCH DIMENSIONS****MODEL JS ELECTROPUNCH FEATURES & OPTIONS**

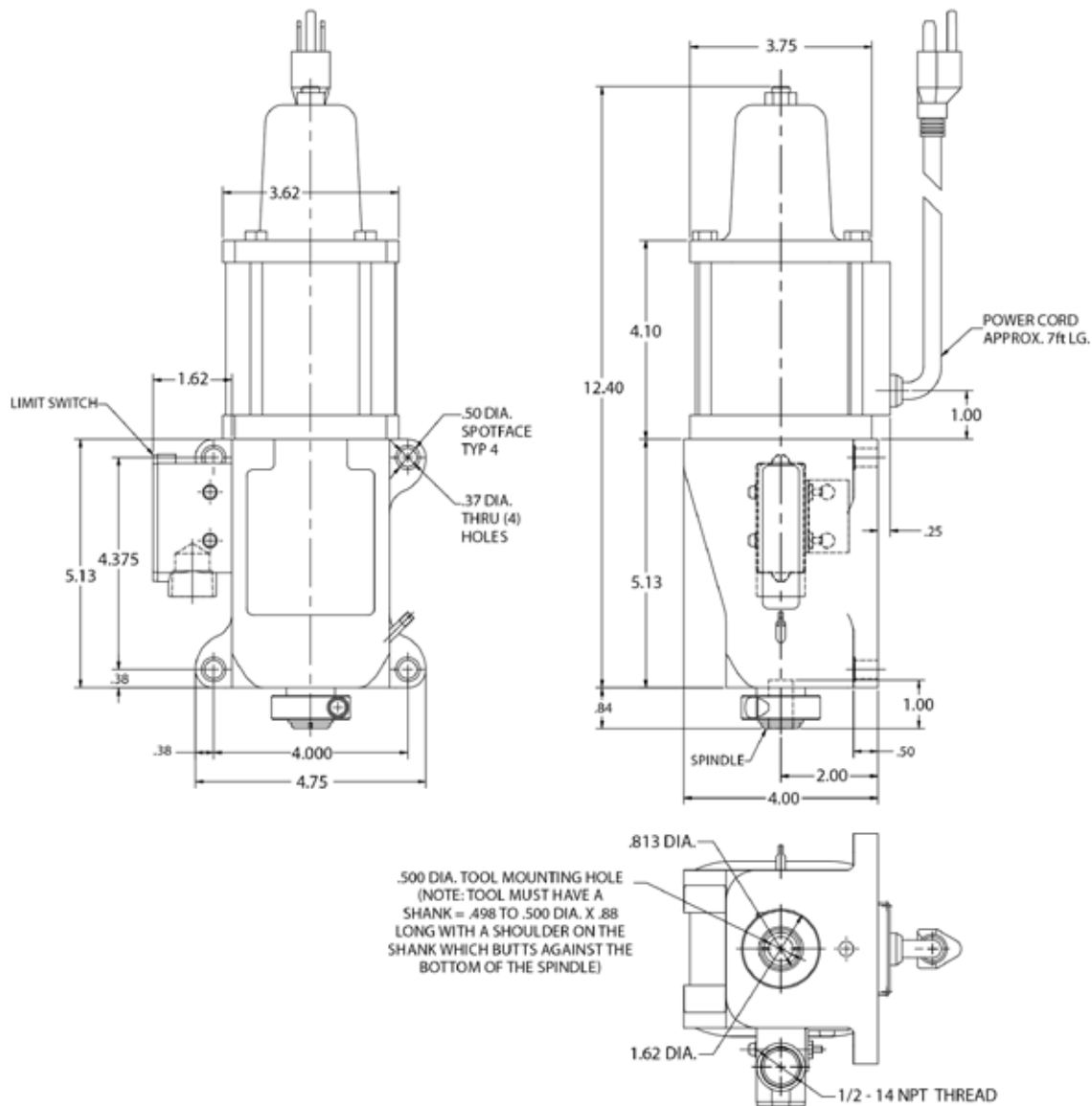
Our objective is to offer you a solution to your assembly and forming needs. If our standard features or available options do not meet your application requirements, please consult our factory to see about us offering an affordable solution to meet your design needs.

**STANDARD FEATURES**

- All Electric Operation
- Non-Rotating Spindle
- 115V, Single Phase, 60 Cycle power
- Up to 8,000 lbs of adjustable impact force with Power Pak Controller
- 1.75" stroke with spring return
- Flange mounting for positioning in any direction

**AVAILABLE OPTIONS**

- Power Pak or Impact Controller (See Control Package Page)
- Cincinnati version available

**MODEL JS-CIN ELECTROPUNCH DIMENSIONS****MODEL JS-CIN ELECTROPUNCH FEATURES & OPTIONS**

Our objective is to offer you a solution to your assembly and forming needs. If our standard features or available options do not meet your application requirements, please consult our factory to see about us offering an affordable solution to meet your design needs.

**STANDARD FEATURES**

- All Electric Operation
- 115V, Single Phase, 60 Cycle power
- Up to 8,000 lbs of adjustable impact force with Power Pak Controller
- 1.75" stroke with spring return
- Flange mounting for positioning in any direction

**AVAILABLE OPTIONS**

- Power Pak or Impact Controller (See Control Package Page)

**NOTE:** JS-CIN Model does not have non-rotating feature

**MODEL SMS ELECTROPUNCH FEATURES & OPTIONS**

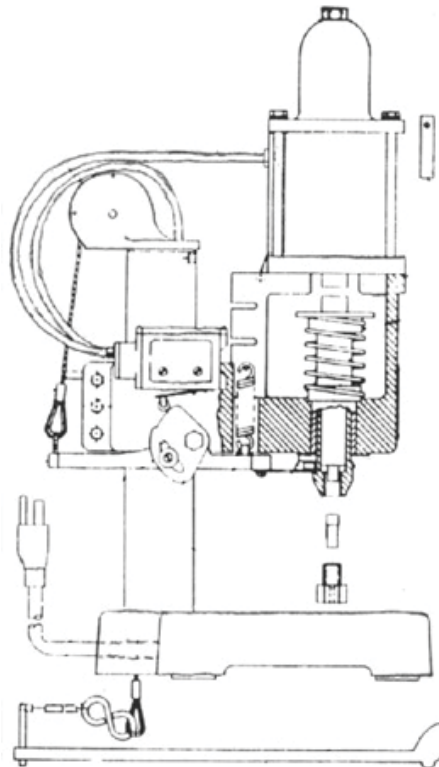
Our objective is to offer you a solution to your assembly and forming needs. If our standard features or available options do not meet your application requirements, please consult our factory to see about us offering an affordable solution to meet your design needs.

**STANDARD FEATURES**

- Column mounted with adjustable daylight opening
- All Electric Operation
- Hold down mechanism to secure parts
- Foot treadle for hold down/impact initiation
- Non-Rotating Spindle
- 115V, Single Phase, 60 Cycle power
- Up to 8,000 lbs of adjustable impact force with Power Pak Controller
- 1.75" stroke with spring return

**AVAILABLE OPTIONS**

- Screw Height Adjustment
- Bolster Plate Machined to Specs
- Custom Tooling Packages
- Custom Guarding Packages

**MODEL SMS ELECTROPUNCH DRAWING**

**MODEL FJS ELECTROPUNCH FEATURES & OPTIONS**

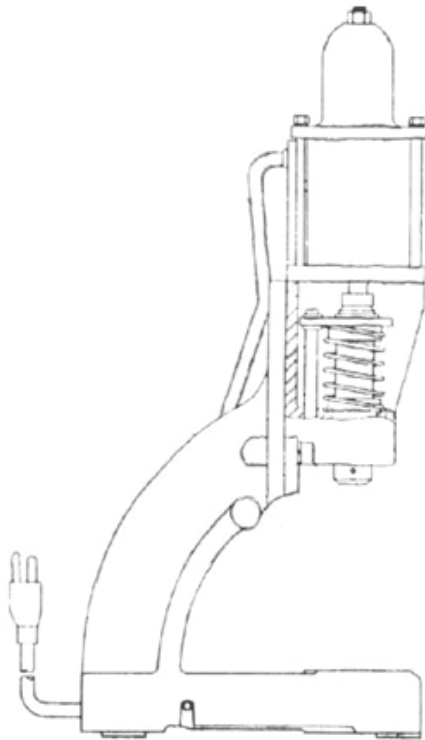
Our objective is to offer you a solution to your assembly and forming needs. If our standard features or available options do not meet your application requirements, please consult our factory to see about us offering an affordable solution to meet your design needs.

**STANDARD FEATURES**

- Heavy Duty Cast Frame
- All Electric Operation
- Non-Rotating Spindle
- 115V, Single Phase, 60 Cycle power
- Up to 8,000 lbs of adjustable impact force with Power Pak Controller
- 1.75" stroke with spring return

**AVAILABLE OPTIONS**

- Electric Two Hand Non-Tie Down Actuators
- Electric Footswitch with Protectoswitch
- Bolster Plate Machined to Specs
- Custom Tooling Packages
- Custom Guarding Packages
- Impact head sold separately

**MODEL FJS ELECTROPUNCH DRAWING**

**ELECTROPUNCH CONTROL PACKAGE OPTIONS**

**CP = Control Package**  
(110v electricity required)

**CP-2 Control Package:** (available on Model BS and Model FJS)

Includes: Electric Footswitch, Impact Controller, and Protectoswitch (Probe Sensing Device)

**CP-3 Control Package:** (available on Model-C and Model BS)

Includes: Electric Dual Actuators (pushbutton style), and Power Pak Controller (dual activation)

**CP-4 Control Package:** (available on Model-C, Model BS, and Model FJS)

Includes: Electric Footswitch, Power Pak Controller (single activation), and Protectoswitch (Probe Sensing Device)

**CP-7 Control Package:** (available on Model-C, Model BS, Model FJS, Model JS, Model JS-CIN, and Model SMS)

Includes: Only Power Pak Controller (single activation), punch cord, and switch cord – no initiation devices included

**CP-8 Control Package:** (available on Model BS, Model FJS, Model JS, Model JS-CIN, and Model SMS)

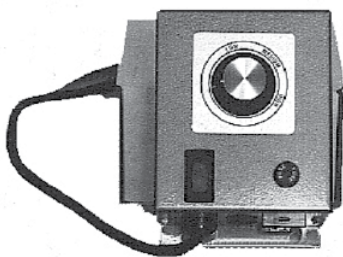
Includes: Only Impact Controller – no initiation devices included

**CP-9 Control Package:** (available on Model-C, Model BS, and Model FJS)

Includes: Electric Dual Opto-Touch Actuators (optic style), and Power Pak Controller (dual activation)

**CP-12 Control Package:** (available on Model BS and Model FJS)

Includes: Electric Dual Actuators (pushbutton style), and Impact Controller

**Power Pak Controller:**

The Power Pak, optional with Electropunch models BS, JS, FJS, and SMS, not only provides 130% increase in power, but significantly improves consistency of power output. The Power Pak incorporates an impact control, which allows impact power to be adjusted from 0 to 8,000 lbs. (126 in. lbs.); Single stroke control feature is useful in marking applications to guard against the punch making a double impression.

**Impact Controller:**

Adjusts Electropunch impact from a few pounds up to rated maximum. Makes possible shifts from delicate jobs to heavy work by simply turning a dial. Consists of variable transformer with graduated dial which regulates solenoid voltage, this regulating impact. Simplifies returning to predetermined impact when changing jobs. Equipped with 3 wire cord, plug and receptacle, pilot lite, fuse and switch.

**Protectoswitch:**

When the operator initiates a foot switch to activate the machine, the Protectoswitch intercepts the start signal and automatically drops a probe around the work area. If an obstruction is sensed the machine will not fire until the obstruction is removed. If the work area is free of obstructions, the probe falls to its full stroke, which closes an actuating switch to fire the machine.



**CUSTOM DESIGNED ELECTROPUNCH**

Our objective is to offer you a solution to your assembly and forming needs. If our standard features or available options do not meet your application requirements, please consult our factory to see about us offering an affordable solution to meet your design needs.

**CUSTOM DESIGNED MODEL-BS ELECTROPUNCH**

- Standard Model BS Electropunch
- CP-9 Control Package (Banner Actuators & Power Pak Controller)
- Custom Designed Enclosed Guarding
- Safety Light Curtains

**CUSTOM DESIGNED MODEL-C ELECTROPUNCH**

- Standard Model-C Electropunch
- Special Footswitch / Power Pak Controls with continuous staking operation
- Custom Designed Enclosed Guarding with Interlocking Doors
- Part Present Sensor to enabling machine cycling

**ISO 9001 REGISTERED (WITH DESIGN)**

Air-Hydraulics is committed to delivering quality products on time to achieve customer satisfaction. Air-Hydraulics uses a process approach to achieve this policy in accordance with ISO 9001 and is committed to continually improve at this process.

[www.airhydraulics.com](http://www.airhydraulics.com)  
[info@airhydraulics.com](mailto:info@airhydraulics.com)  
 Phone: 1-800-837-4355