

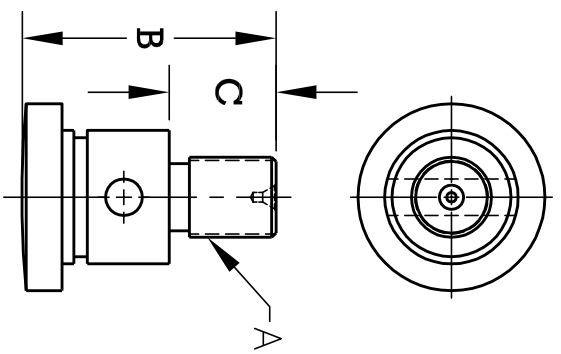
# AIR-HYDRAULICS ALIGNMENT COUPLER SETS

MACHINE	TONS	MALE ADAPTER			QUICK RING	PERM. RING	D	E	F	G	H	J	
		A	B	C									
12A,28A,50A	1-2.5	CA1-1	1/2-20	2.38	1.00	QCR-1	PCR-1	3.25	0.75	5/16 SHCS	.528	1.133	.884
C250	2.5	CA1-2	5/8-11	2.38	1.00	"	"	3.25	0.75	5/16 SHCS	.528	1.133	.884
AH-4,AH-8	4-8	CA1-3	3/4-16	2.38	1.00	"	"	3.25	0.75	5/16 SHCS	.528	1.133	.884
C300,C400	5-10	CA2-4	5/8-11	3.00	1.13	QCR-2	PCR-2	4.50	1.13	3/8 SHCS	.793	1.701	1.326
C500	15	CA2-5	1 1/4-12	3.00	1.13	"	"	4.50	1.13	3/8 SHCS	.793	1.701	1.326
AH-10,AH-15,AH-20	10-20	CA2-6	1 1/2-12	3.00	1.13	"	"	4.50	1.13	3/8 SHCS	.793	1.701	1.326
AH-30	30	CA2-7	1 7/8-12	3.00	1.13	"	"	4.50	1.13	3/8 SHCS	.793	1.701	1.326
AH-50	50	CA3-8	2 1/4-12	3.75	1.38	QCR-3	PCR-3	6.00	1.38	1/2 SHCS	1.057	2.266	1.768

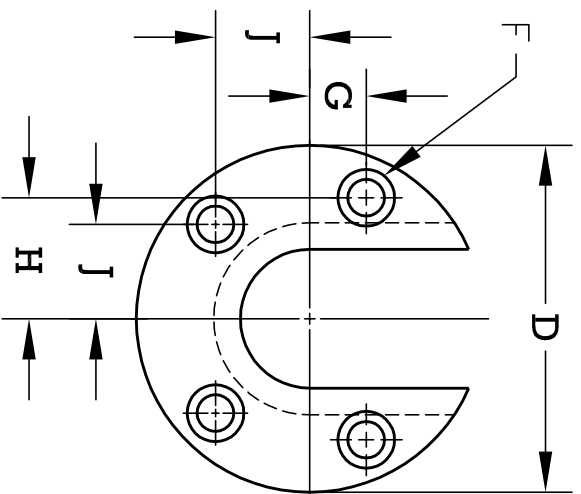
NOTE: ADAPTER & RING MAKE A SET

NOTE: Damage could occur to machine unless proper alignment is installed between die set and cylinder rod connection.

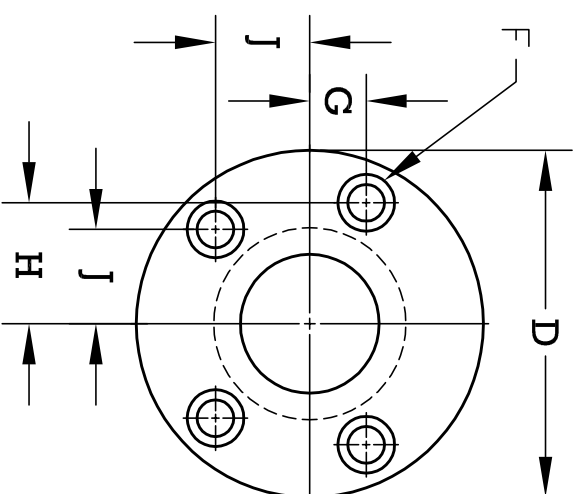
\* Special threads can be machined .  
Consult Factory For Application.



MALE ADAPTER \*



QUICK RING



PERMANENT RING